

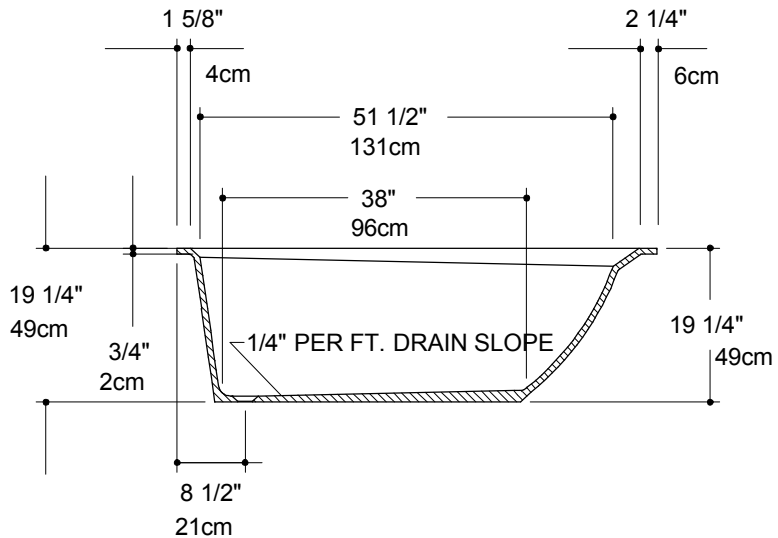
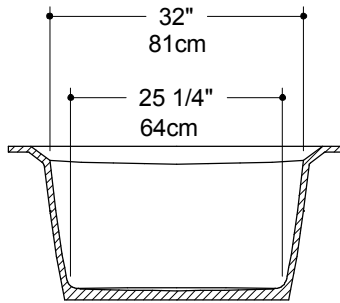
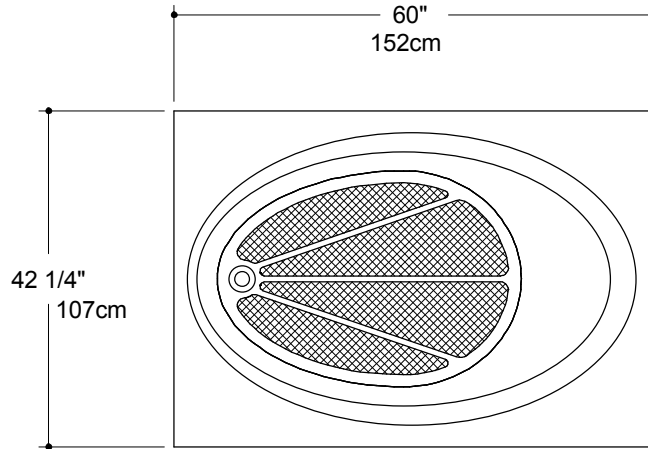


**MARSHALL
GRUBER
COMPANY**

Toll-Free: 866-260-6457 (from the U.S. only)
 Web: <http://marshallgruber.com>
 Email: info@marshall-gruber.com
 Address: 220 Airport Drive, Mansfield, TX 76063

MOLD SPECIFICATIONS

MK21-98



© 2019 BY MARSHALL-GRUBER COMPANY. SPECIFICATIONS SUBJECT TO CHANGE WITHOUT NOTICE. ALL RIGHTS RESERVED.

MOLD PART	CATALOG NO.	DESCRIPTION
MALE	29021-98	Mold, Male, Mark 21 Textured Bottom Oval Tub
MALE	290212-98	Mold, Male, Mark 21 Textured Floater
FEMALE	490218	Mold, Female (F) One-Piece, Mark 21
TURTLE	490213	Mold, Female (F) Turtle, Mark 21
FEMALE (ULFF)	490219	Mold, Female (ULFF) 1/2" Wall, Mark 21
ULFF INSERT	4902191	Mold, Female (ULFF) Insert 1/2", Mark 21
NAME MARK 21 TEXTURED BOTTOM OVAL BATHTUB MOLD		
CAST WT:	SCALE: 1/2" = 1'0"	DATE: 2-22-19