

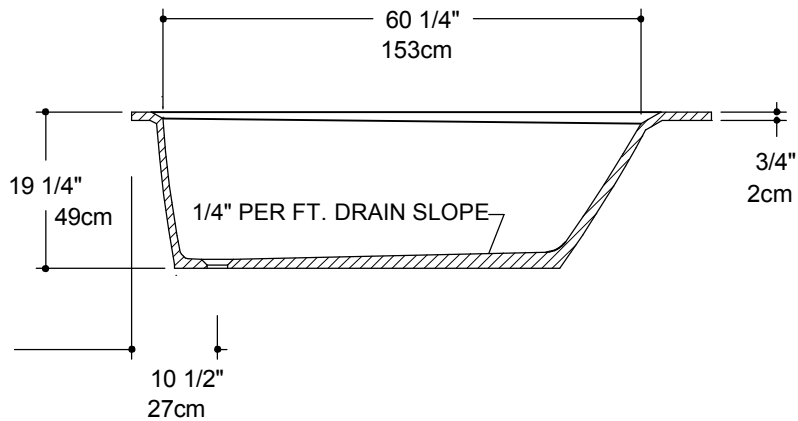
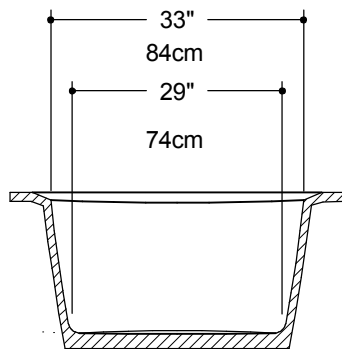
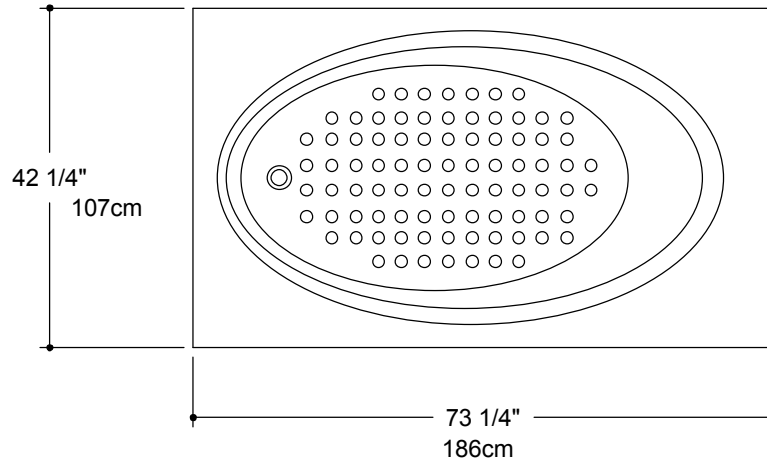


**MARSHALL
GRUBER
COMPANY**

Toll-Free: 866-260-6457 (from the U.S. only)
 Web: <http://marshallgruber.com>
 Email: info@marshall-gruber.com
 Address: 220 Airport Drive, Mansfield, TX 76063

MOLD SPECIFICATIONS

MK17



© 2019 BY MARSHALL-GRUBER COMPANY. SPECIFICATIONS SUBJECT TO CHANGE WITHOUT NOTICE. ALL RIGHTS RESERVED.

MOLD PART	CATALOG NO.	DESCRIPTION
MALE	29017	Mold, Male, Mark 17 Oval Bathtub 73"L x 42"W x 19"H
MALE	290172	Mold, Male, Mark 17 Floater
FEMALE	4901728	Mold, Female (F) Floater, Mark 17
FEMALE	490178	Mold, Female (F) One-Piece, Mark 17
TURTLE	490173	Mold, Female (F) Turtle, Mark 17/28
FEMALE (ULFF)	490179	Mold, Female (ULFF) 1/2" Wall, Mark 17
ULFF INSERT	4901791	Mold, Female (ULFF) Insert 1/2", Mark 17
SPEEDY PLUG	29110	Speedy Plug, Mark 17/28
NAME MARK 17 OVAL BATHTUB MOLD - 73-1/4" X 42-1/4" X 19-1/4" (186 X 107 X 49 CM)		
CAST WT:	SCALE: 1/2" = 1'0"	DATE: 2-22-19